



Model Name

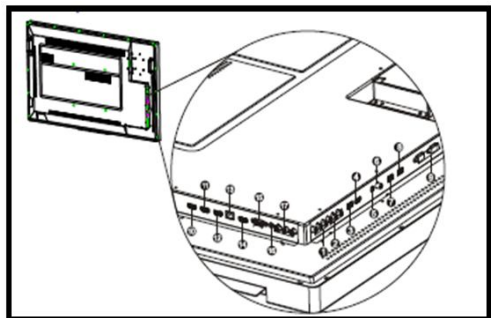
RP652H IFP

Unique selling point

- * IR 10-points Multi-touch (up to 10 points)
- * Touch Driver Free/ Multi-Platform Support
- * Closed Android System/Build-in Annotation SW
- * Anti-Glare/ Low Blue Light / Flicker Free
- * Input Source with Touch enable

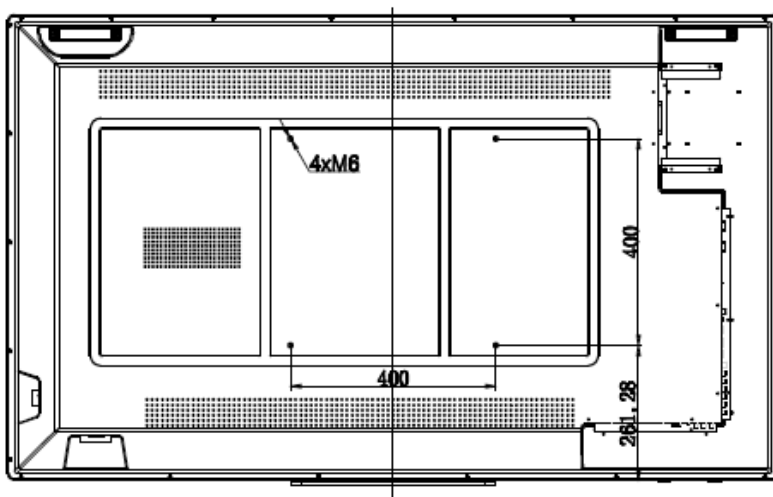
Panel	Screen Diagonal	65"		
	Backlight	LED		
	Resolution	1920 x 1080		
	Aspect Ratio	16:9		
	Brightness	350nits		
	Contrast Ratio	4000:1		
	Dynamic Contrast Ratio	100000:1		
	Viewing Angle	178 degree (H) / 178 degree (V)		
	Color gamut (x% NTSC)	72%		
	Frame Rate	60Hz		
	Response Time	8ms		
	Panel bit	10-bit		
	Light life	30000hrs		
Orientation	Landscape			
Touch solution	Touch tech.	IR		
	Number of touches	Multi-touch up to 10 touches (varies from operating systems and applications)		
	Touch interface	USB (Type A) x 2		
	Resolution	32767 x 32767		
Cover glass	Thickness	Tempered, 4 mm		
	Hardness	7H		
	AG coating	80%		
Speaker	Built-in speaker	10W x 2		
Interface	Input	Power (AC) Inlet	x 1	
		Audio line-in	x 1	
		Composite video	x 1	
		Composite audio(L/R RCA)	x 1	
		D-sub	x1	
		Type A HDMI	x 5 (HDMI 1.3)	
		USB port (for USB playback)	x 2	
		USB port (USB extender)	x 2 (for OPS)	
		RS232	x 1	
		OPS	x 1	
		LAN	x 1	
		MIC	x 1	
		Component video (YPbPr)	x 1	
		Output	Composite video	x 1
	Composite audio(L/R RCA)		x 1	
	Type A HDMI		x 1 (HDMI 1.3)	
	RS232		x 1	
	COAX		x 1	
	Earphone		x 2	
		IR receiver	x 1	
Mechanical	Dimensions(W x H x D)	1505 * 901* 122 mm (IFP) / 1765 * 1165 * 320 mm (carton)		
	Weight	57kg (net weight) / 71kg (with packaging)		
Power	Power supply	AC100 to 240V, 50 to 60 Hz		
	Power consumption	<220W		
OSD	On-Screen Display Languages	EN/EF/SP/EP/CN/TC/GM/DT/PL/RS/CZ/DN/SW/IT/RM/FN/NG/GK/TK/AB/J/P (21L)		
Accessories	Standard	Remote Control w/ Battery	x 1	
		Power Cord (by region)	x 4	
		Touch pen	x 2	
		Quick Start Guide	x 1	
		Audio cable	N/A	
		Touch Cable (USB to USB)	x 1	
		VGA(D-sub 15pin) Cable	x 1	
		Wall mount	N/A	

Input/output terminals



No.	Name	Description
1	AV OUT(L/R)	Outputs composite video and audio signals from the AV IN input to another display with a RCA connector.
2	AV IN(L/R)	Receives composite video signals from an external device (such as a VCR or DVD player).
3	M USB 2	Accesses multimedia files on USB drives directly.
4	HDMI 5(MHL)	Receives HDMI signals from an external device.
5	□	Connects to a headset.
6	COAXIAL	Connects to a coaxial cable to function efficiently as a radio frequency transmission line.
7	TOUCH USB-2	Connects the display and a computer by the USB cable to activate the touch function.
8	OPS USB	Accesses use the USB drives directly in OPS.
9	RS232(IN/OUT)	For external control RS232 IN: receives control signals from a computer or another display RS232 OUT: outputs control signals from the RS232 IN input to another display.
10	HDMI 2	Receives HDMI signals from an external device.
11	HDMI 3	Receives HDMI signals from an external device.
12	HDMI OUT	Connects to display devices with a HDMI 3 input.
13	LAN	LAN port 10/100M
14	HDMI 4	Receives HDMI signals from an external device.
15	VGA	Receives analog RGB signals from an external device (such as a computer).
16	PC AUDIO	Receives audio signals from an external device.
17	YPbPr	Receives component video (YPbPr) signals from an external device (such as a DVD player, HDTV device or Laser disc player).

Wall mount



Dimension

